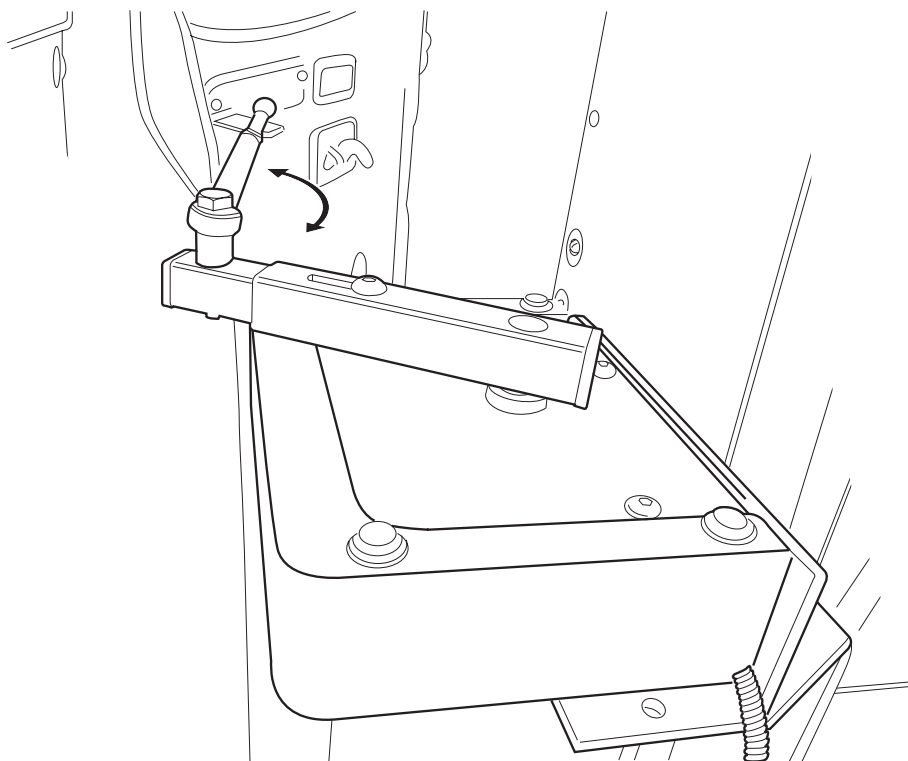


USER MANUAL

EN

# handiRDO™

## REAR DOOR OPENER



# ENGLISH



All rights reserved.

The information provided herein may not be reproduced and/or published in any form, by print, photoprint, microfilm or any other means whatsoever (electronically or mechanically) without the prior written authorization of **AutoProducts**.

The information provided is based on general data concerning the construction known at the time of the publication of this manual. **AutoProducts** executes a policy of continuous improvement and reserves the right to changes and modifications.

The information provided is valid for the product in its standard version. Handicare can therefore not be held liable for any damage resulting from specifications of the product deviating from the standard configuration. Illustrations contained in the manual may deviate from the configuration of your product.

The information made available has been prepared with all possible diligence, but **AutoProducts** cannot be held liable for any errors contained in the information or the consequences thereof. **AutoProducts** accepts no liability for loss resulting from work executed by third parties. Names, trade names, trademarks etc. used by **AutoProducts** may not, as per the legislation concerning the protection of trade names, be considered as being available.

# User guide

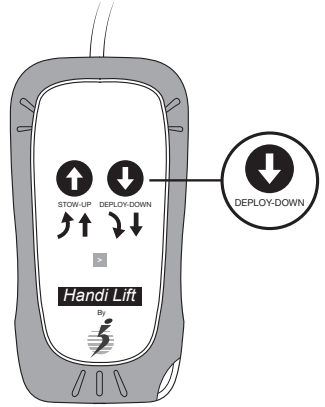
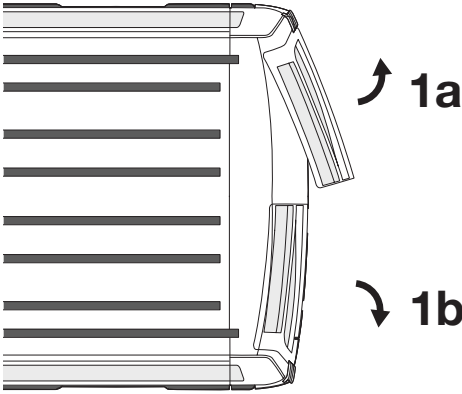
# handiRDO™ REAR DOOR OPENER

## Opening

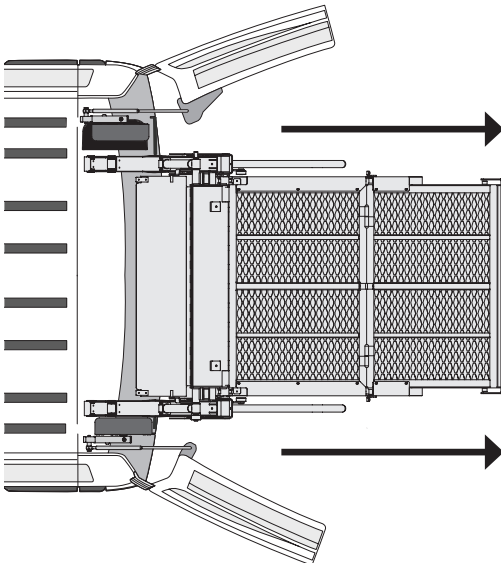
1. Press and hold the button  to open the rear doors.



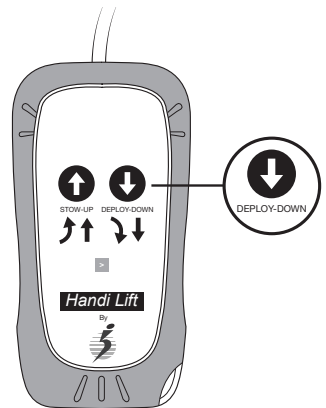
**WARNING:** Keep a safe distance when operating the RDO and lift!



2. Continue pressing the button  to activate the wheelchair lift.




2

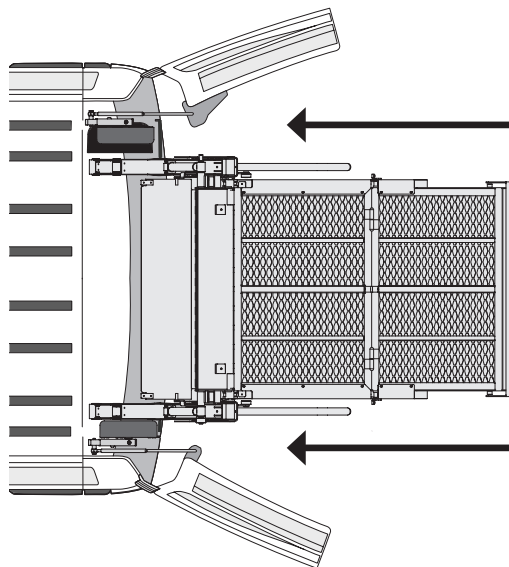


# User guide

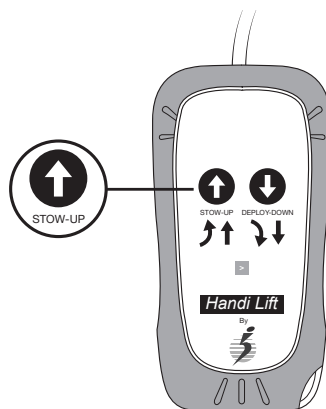
# handiRDO™ REAR DOOR OPENER


## Closing

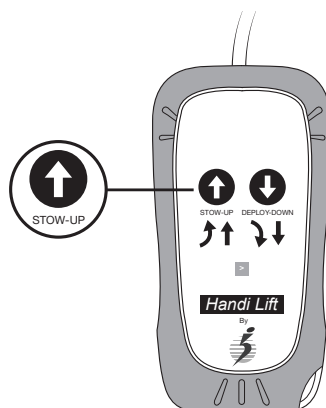
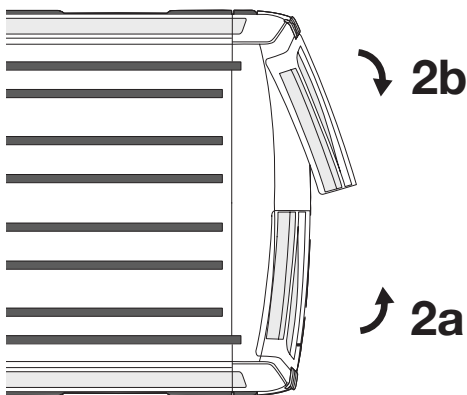
1. Press and hold the button  to stow the lift and close the rear doors.



1



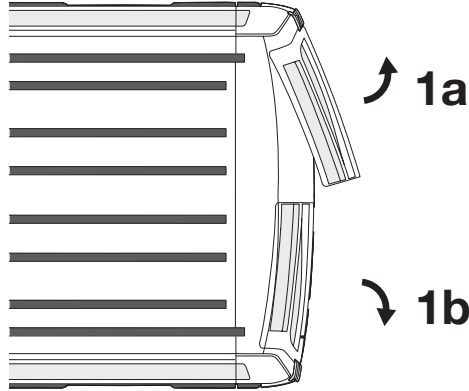
2. Continue pressing the button . When a small safety-delay occurs, keep pressing to close the doors completely.




# User guide for wireless control

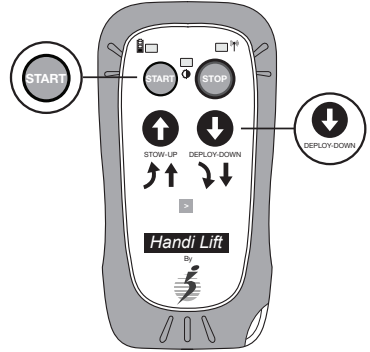
## Opening


1. Press the button  to activate the RDO.
2. Press and hold the button  to open the rear doors.

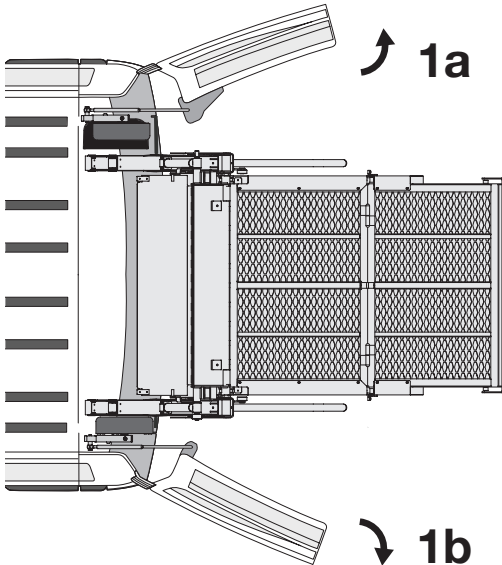




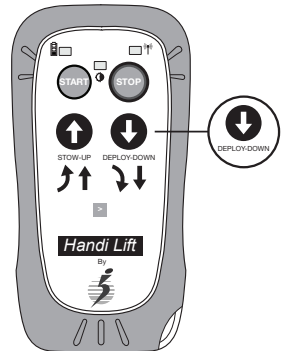
**WARNING:** Keep a safe distance when operating the RDO and lift!





2. Continue pressing the button  until the vehicle doors are fully open and the wheelchair lift is completely unfolded.

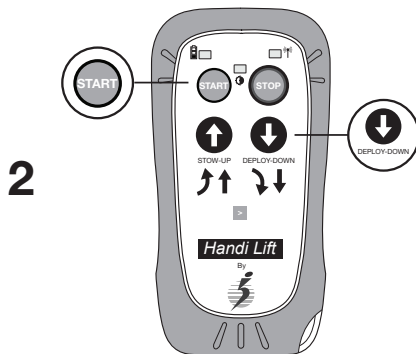
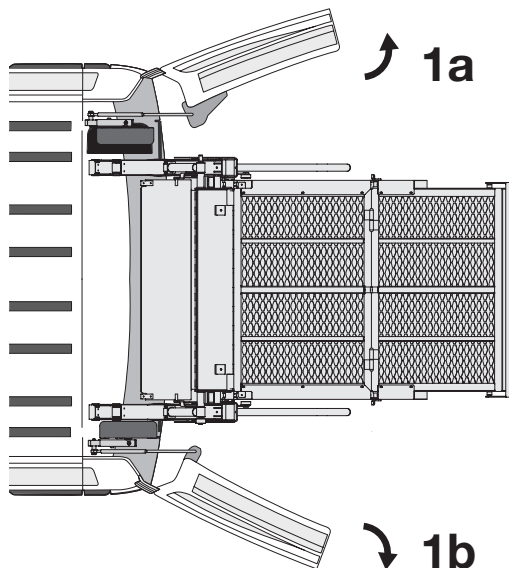



2

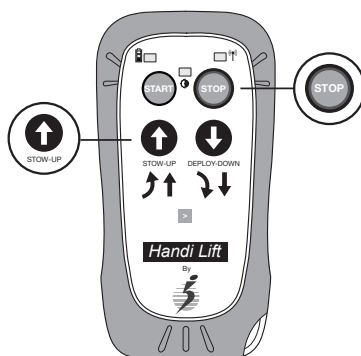
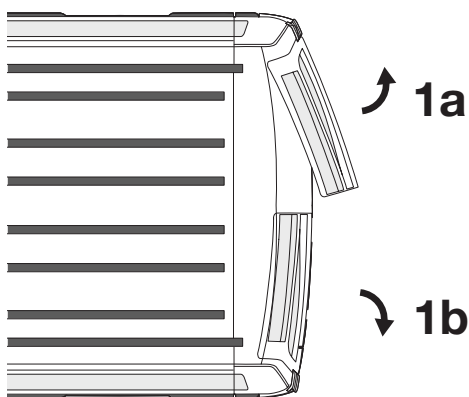


## Closing

1. Press the button  to activate the RDO.
2. Press and hold the button  to stow the lift and close the rear doors.



2. Continue pressing the button . When a small safety-delay occurs, keep pressing to close the doors completely.



3. Press the button  to deactivate the RDO.





**auto** products

Baggeskærvej 48  
DK-7400 Herning  
T +45 97 12 96 22  
sales@autoproducs.dk  
www.autoproducs.eu